

# StripLite™ Series



## StripLite1 – Warm or Neutral White

### Unit Dimension (LxWxH):

30.6x1.4x1.0 cm / 12.0x0.55x0.4 in

### Unit Weight:

70g / 2.47 oz

### LED Power:

4.5W

### Power requirement:

5.2W

### Color Temperature:

Warm - 3200 Kelvin

Neutral - 4100 Kelvin

### Intensity:

170 Lumens/foot

### Housing:

Aluminum, clear anodized finish

### Beam spread:

140 Degrees

\* PowerLite Power Supply needed to power StripLites

## StripLite3 – Warm or Neutral White

### Unit Dimension (LxWxH):

91.8x1.4x1.0 cm / 36x0.55x0.4 in

### Unit Weight:

210g / 7.41 oz

### LED Power:

13.5W

### Power requirement:

15.6W

### Operating Temperature:

-20° – 55° Celsius

### Fixture Input voltage:

24 Vdc

### Power Range:

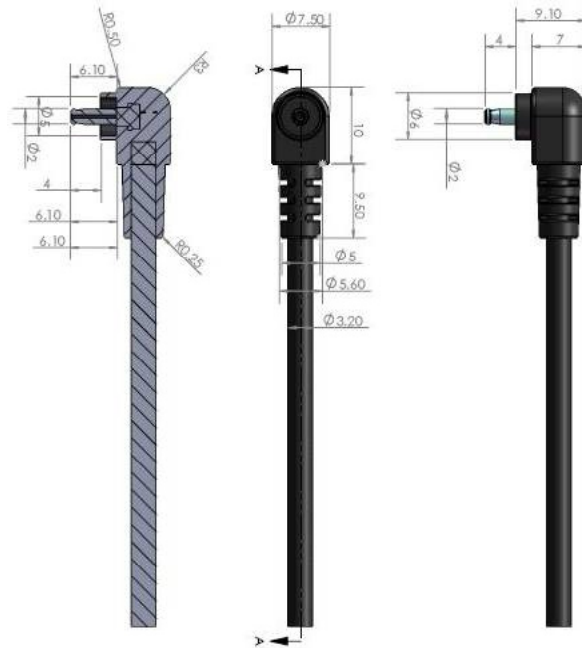
30W, 60W, 100W

## Number of Linkable Warm or Neutral White StripLites by Type of Power Supply

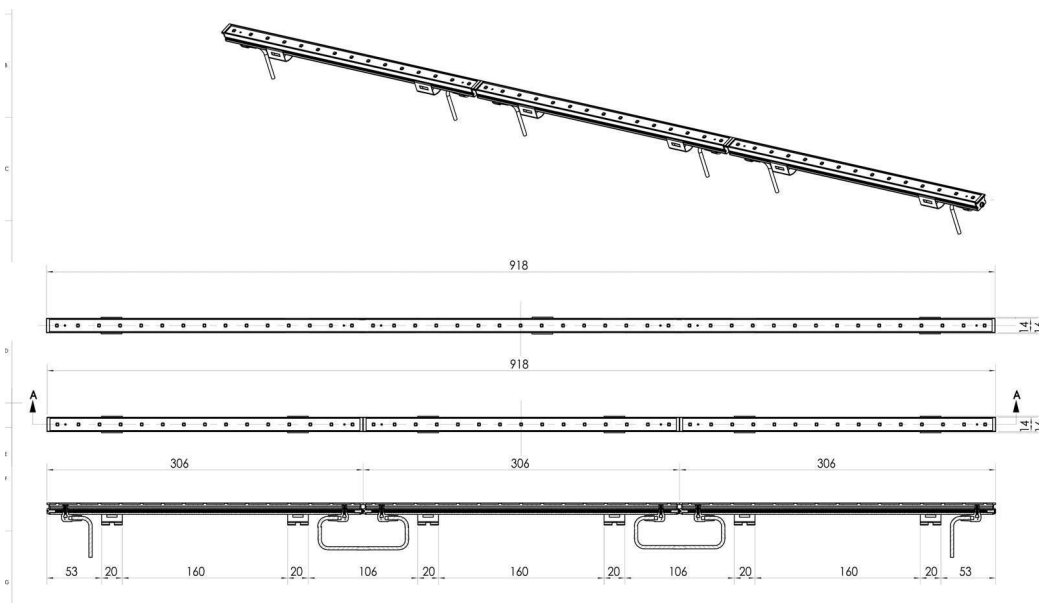
	PowerLite-30	PowerLite-60	PowerLite-100
StripLite1 (5.2W)	5	11	19
StripLite3 (15.6W)	1	3	6

Light Source: Single-Bin Selected Nichia LEDs

# StripLite™ Series



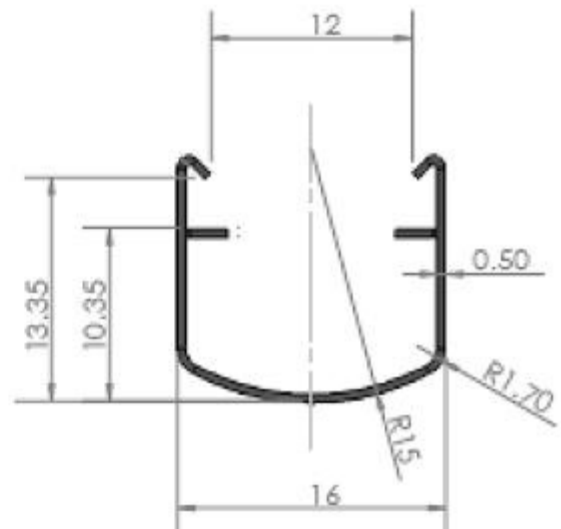
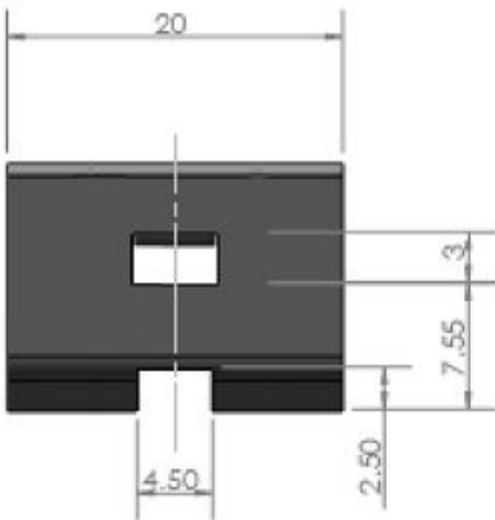
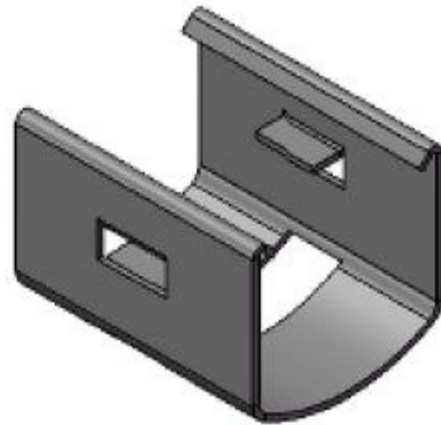
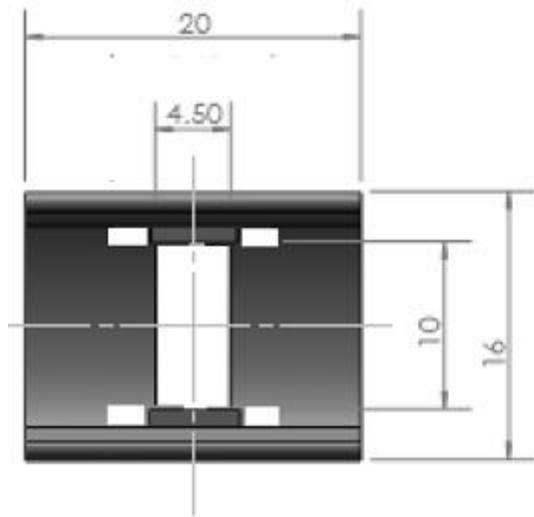
Electrical Connector Details



Example of Multi-Strip Installation

# StripLite™ Series

## Installation Bracket



### Bracket Installation Instructions:

1. Place the bracket against surface at desired angle
2. Drill screw into slip-joint
3. Repeat for second bracket at opposing end
4. Snap StripLite into brackets