

StripLite™ Series



StripLite1 - Cool White

Unit Dimension (LxWxH):

30.6x1.4x1.0 cm / 12.0x0.55x0.4 in

Unit Weight:

70g / 2.47 oz

LED Power:

1.8W

Power requirement:

2.4W

Color Temperature:

Cool - 5500 Kelvin

Intensity:

45 Lumens

Housing:

Aluminum, clear anodized finish

Beam spread:

140 Degrees

StripLite3 - Cool White

Unit Dimension (LxWxH):

91.8x14x10 cm / 36x0.55x0.4 in

Unit Weight:

210g / 7.41 oz

LED Power:

5.4W

Power requirement:

7.2W

Operating Temperature:

-20° – 55° Celsius

Fixture Input voltage:

24 Vdc

Power Range:

30W, 60W, 100W

* PowerLite Power Supply needed to power StripLites

Number of Linkable Cool White StripLite by Type of Power Supply

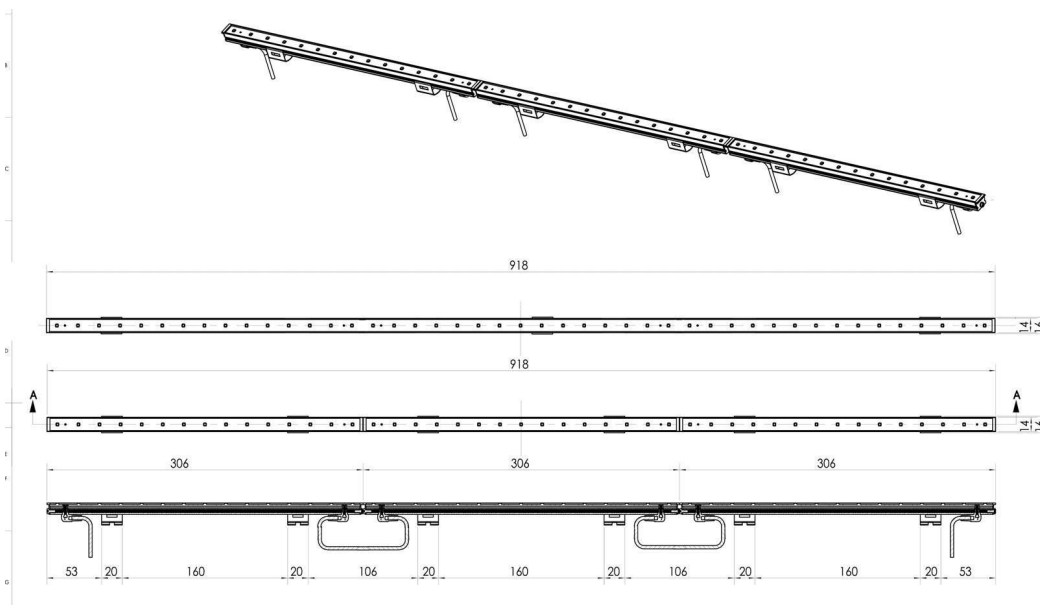
	PowerLite-30	PowerLite-60	PowerLite-100
StripLite1-Cool (2.4W)	12	24	32
StripLite3-Cool (7.2W)	4	8	13

Light Source: Single-Bin Selected Nichia LEDs

StripLite™ Series



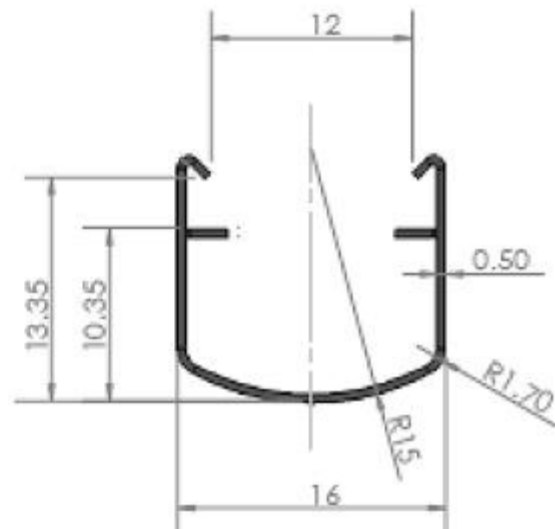
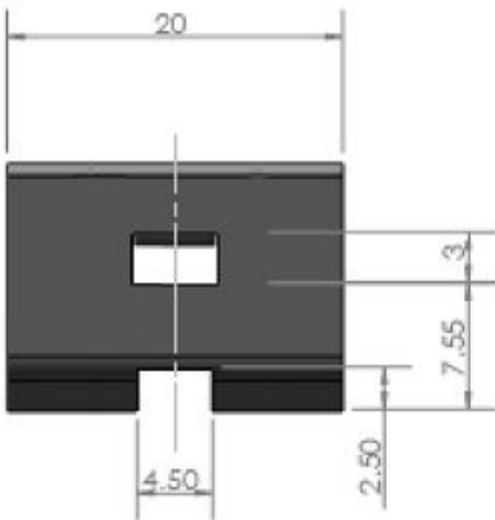
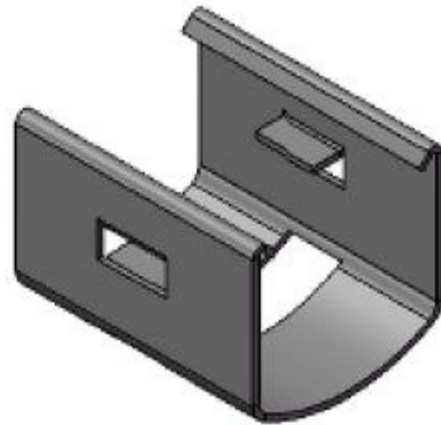
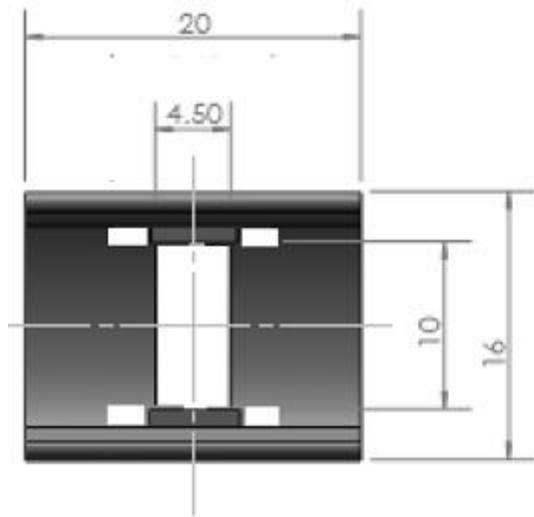
Electrical Connector Details



Example of Multi-Strip Installation

StripLite™ Series

Installation Bracket



Bracket Installation Instructions:

1. Place the bracket against surface at desired angle
2. Drill screw into slip-joint
3. Repeat for second bracket at opposing end
4. Snap StripLite into brackets