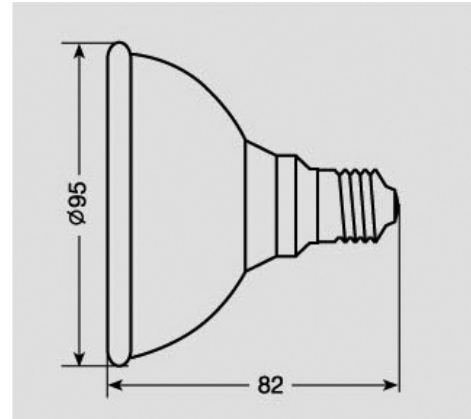


PARLite™ Series



LED PAR30

Base Type:

Edison E27

Color:

Cool White (6000 K)
or Warm White (3200 K)

Intensity:

630 Lumens

Input:

110/230V AC/DC
(reversed-polarity protection)

Output Power:

7x1W High Power LED

Led Input Current:

320mA

Beam Angle:

30 or 45 Degrees

Reflector Efficiency:

90%

Body Temperature:

<60 °C

LED Working Temperature:

No UV or IR Radiation

Act as direct retrofits to 75W incandescent PAR30 lights